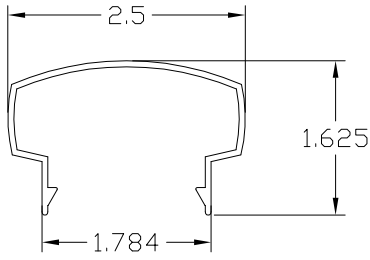
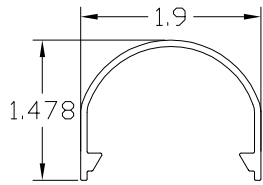


CHESAPEAKE RAILING

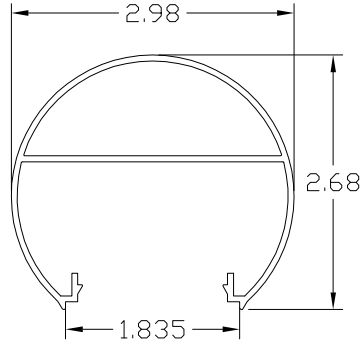
TOP RAIL OPTIONS



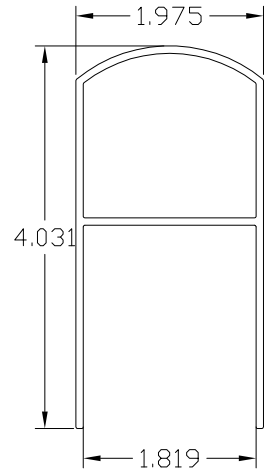
A1 TOP RAIL



A2 TOP RAIL

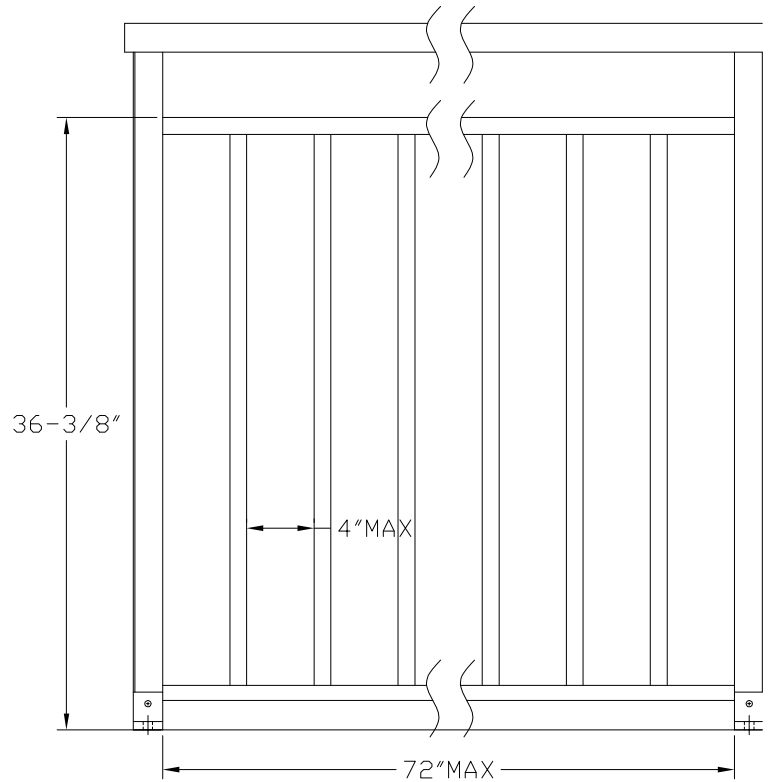
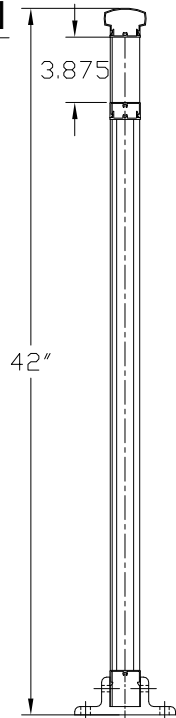


A3 TOP RAIL

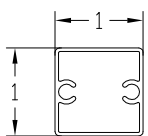


A4 TOP RAIL

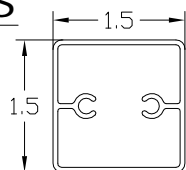
TYPICAL CHESAPEAKE RAIL ELEVATION



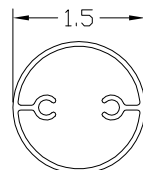
PICKET OPTIONS



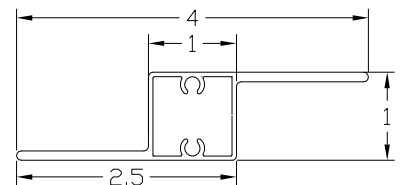
A9 1" PICKET



A10 1.5" PICKET



A22 1.5" ROUND PICKET



A24 'Z' PICKET